



KAANVI.COM

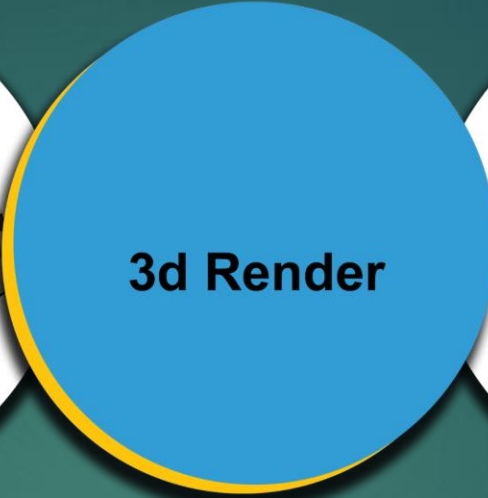
3d render, animation and bim



ABOUT KAAANVI



Kaanvi is a young multidiscipline, full-service consulting engineering firm. Based in Gurgaon- India. We provide our consulting services in the areas of B.I.M (Building Information Modelling) / VDC technology and mechanical design services, Photography, Product animation, 3d Render. We are a team of dedicated professionals striving in delivering the most satisfactory products in the given timeline using the best quality latest software and technology. We provide clients with services including jewellery, Architects, hardware manufacturing, art galleries etc.



We have the best tools for creating photorealistic images, videos to advertise and market a product, making it look good from all angles. Lighting and angles are most important and it takes a lot of time to come up with the perfect background and lighting. 3D rendering avoids these strenuous efforts and gives a suitable rendered product. The ability to show or see your product before it's completed can help in determining likely design flaws. This is time saving and quick process. Our team is very well experienced and provides quick and commendable outcome.

3d Render And Lifestyle Images





Installation video



some animation work links

<https://www.youtube.com/watch?v=kq8qgiXLwFo&t=52s> (Sloan)

<https://www.youtube.com/watch?v=H5QfhOvxMFw&t=11s> (**Hindware**)

<https://www.youtube.com/watch?v=ILIH5skivDI&t=361s> (KOHLER)

<https://www.youtube.com/watch?v=XuusikJ2P2w>

<https://www.youtube.com/watch?v=snHjYjGEFQo&t=1s>

<https://www.youtube.com/watch?v=BypO1lj4Ajo>

<https://www.youtube.com/watch?v=450qbH-BZVs&t=1s>

<https://www.youtube.com/watch?v=ueVwql5LYdg&t=31s>

<https://www.youtube.com/watch?v=sBHTv0195Y8&t=28s>

<https://www.youtube.com/watch?v=zaAxGNKDnhc&t=19s>

https://www.youtube.com/watch?v=yS_uQuyQaEk&t=103s

<https://www.youtube.com/watch?v=OrWdrF2rmY8&t=16s>

<https://www.youtube.com/watch?v=fWCtyKa6VYM&t=38s>

<https://www.youtube.com/watch?v=l5VbKpl4saQ&t=4s> (**Tower Crane**)



Superimposed images to replace with new products





Before



After



Before



After

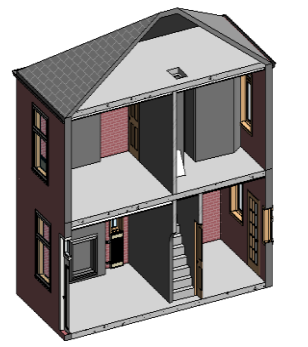
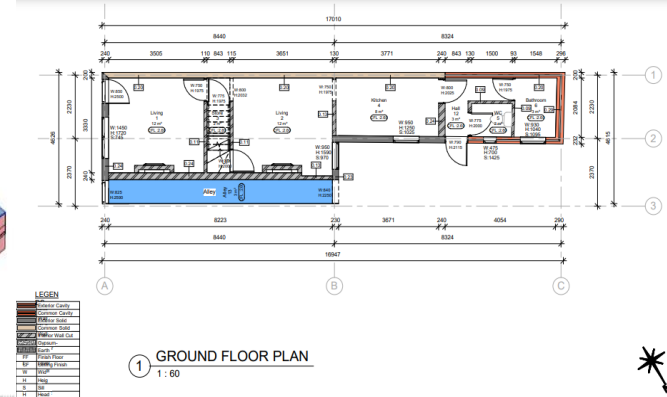
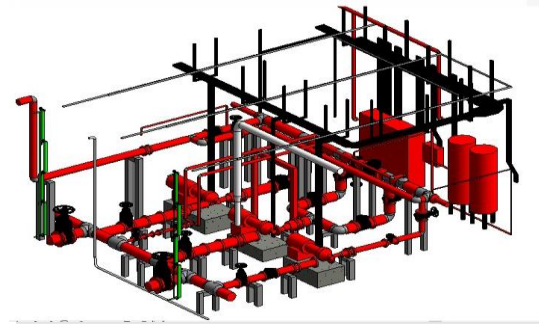
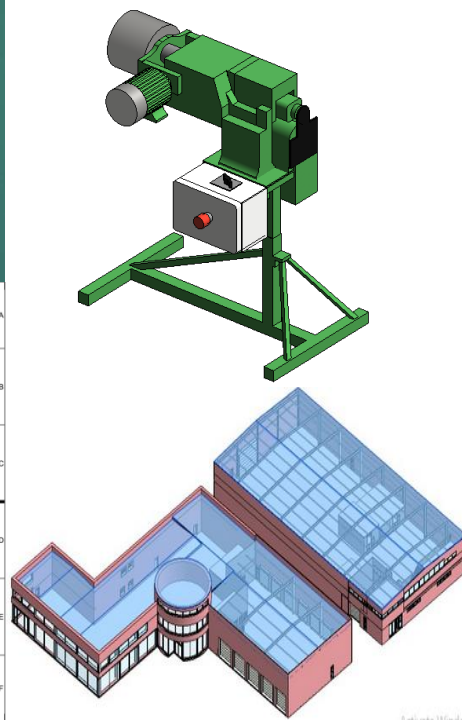
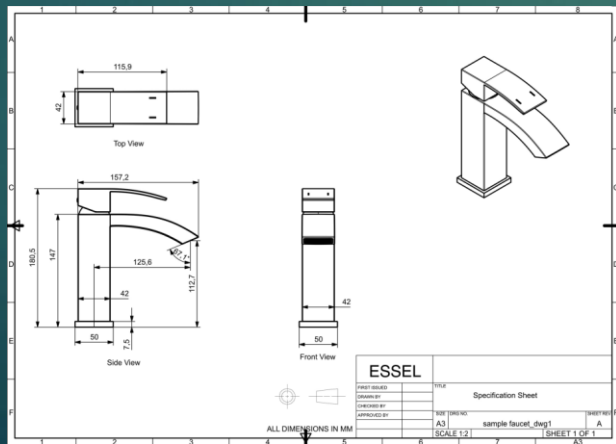


BIM Services

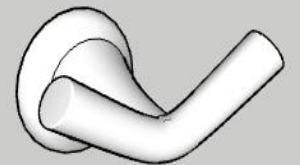
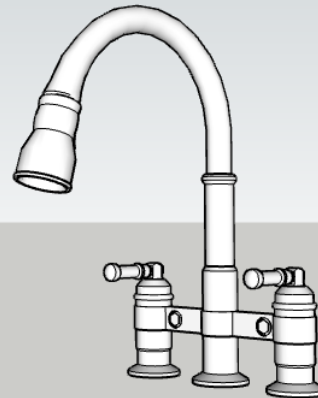
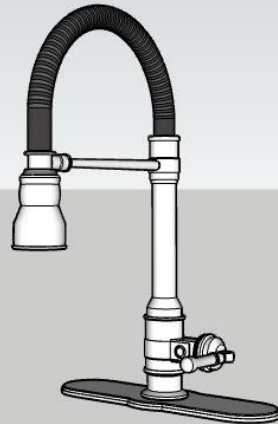
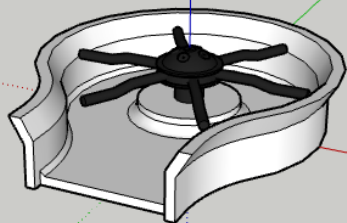
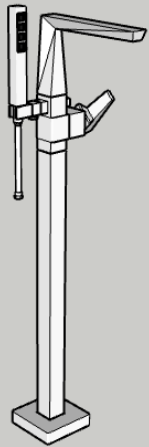
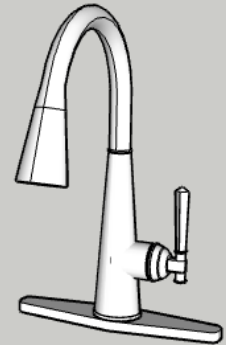
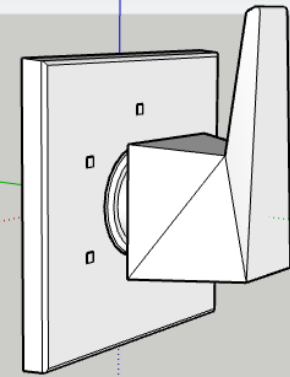
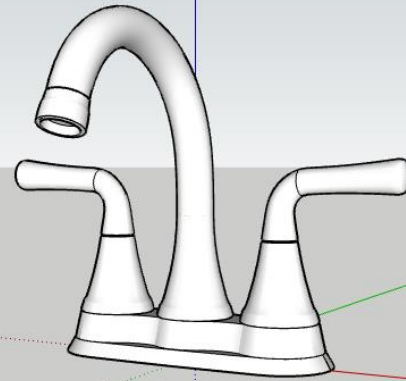
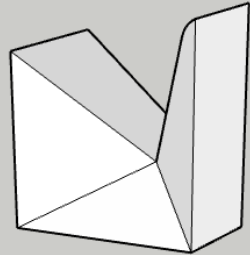
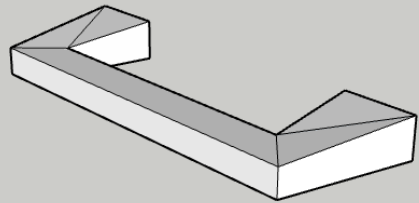
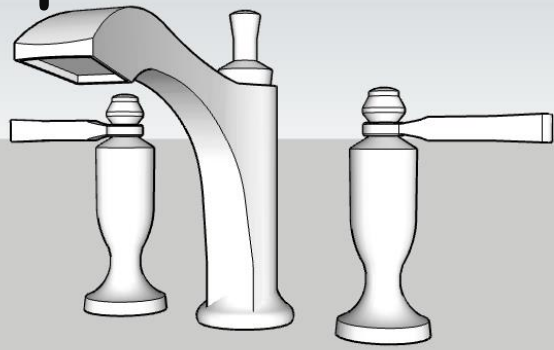
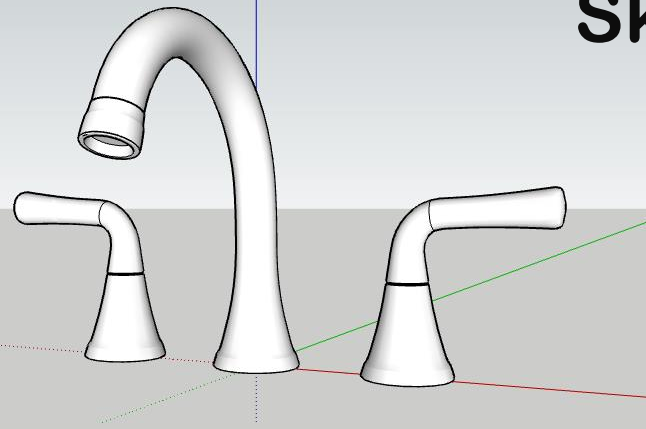
Point Cloud Projects (Scan to BIM/ CAD to BIM)

Parametric Family Creation

Reverse Engineering



Sketchup Parametric Family





Our Clients



<https://www.kohler.co.in/>

<https://www.deltafaucet.com/>

https://www.grohe.co.in/en_in/

<https://www.healthkart.com/>

<https://www.vitra-india.com/>

<https://www.brizo.com/>

<https://hindware.com/>

<https://www.hafeleindia.com/en/>

<https://www.sloan.com/>

<https://www.peerlessfaucet.com/>

<https://www.iffco.in/en/corporate>

<https://www.roca.in/>

<https://padminivna.com/>

<https://easet.com/>

<https://vaalve.in/>

<https://www.jindalsteelpower.com/>

<https://www.carlsbergindia.com/>

<https://www.muscleblaze.com/>

<http://www.alphaservices.co.in/>

Contact US



<https://kaanvi.com>



Kaanvi.ggn@gmail.com



[+91-9990941999](https://wa.me/919990941999) 



Gurgaon, India -122001





Thanks